

Hardness Testers - Measuring Quality

DX 835 MOTORISED BENCH TOP STAND



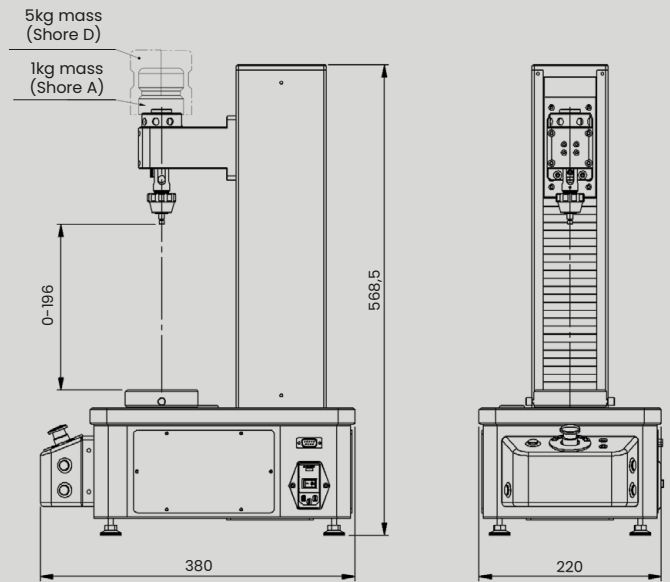
The DX 835 Axiotek motorised bench top stand features **electronic operation**: after installing the desired portable Shore hardness tester and selecting the head lowering speed, **simply press** the side button to carry out the test, determining the hardness value.

DX 835 is ideal for measuring all Shore hardness scales **A, B, C, D, DO, E, AO, O, OO**, in accordance with the standards of reference: **ISO 48-4 and ASTM D2240, ISO 868 and ISO 21509**.

Suitable for all **polymers, elastomers, rubbers and gel-like materials (such as plastics, rubber, medical items, paper and sponges)** of small to medium size and complex geometries.

What are the immediate benefits?

- It eliminates human influence in test execution, therefore ensuring greater accuracy of results
- It maximises the reproducibility of measurements thanks to the electronic control of the probe descent speed, with programmable values from 0.5 mm/s to 16 mm/s
- It allows to measure **objects with complex geometry**, thanks to the extensive kit of dedicated accessories for the interchangeable specimen base



Possibility of adding a calibrated mass for all Shore scales on one instrument

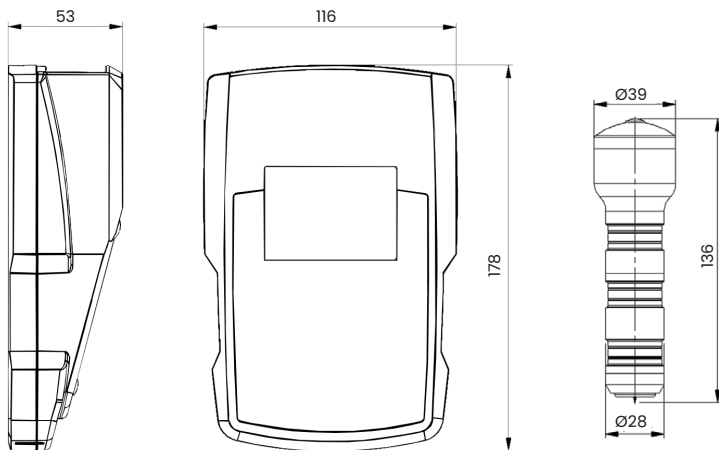
TECHNICAL DATA

- Weight: 17,5 kg
- Power supply: 115/230v - 50÷60Hz
- Supplied with calibrated mass for OO, OOO and OOO-S Shore scale
- Possibility of using the instrument in stand-alone mode

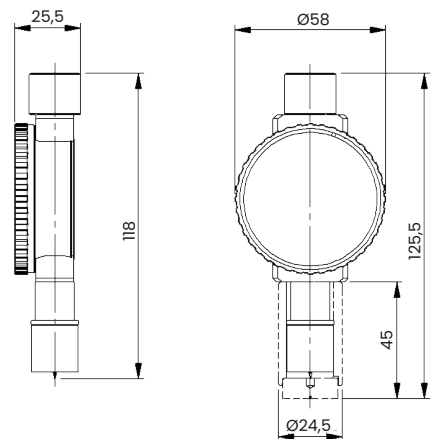
Combine it with a portable electronic or analogue Shore hardness tester!

Reference standards: ASTM D2240, ISO 48-4, ISO 868 and ISO 21509

ELECTRONIC PORTABLE SHORE



ANALOGUE PORTABLE SHORE



AXIOTEK S.r.l.
Via Monte Tagliaferro 8,
21056 Induno Olona (VA)

✉ service@axiotek.eu

☎ +39 0332 1892847

🌐 www.axiotek.eu

AUTHORIZED DISTRIBUTOR



LABORTECH, s.r.o.
Rolnická 1543/130a
747 05 Opava
Czech Republic

PHONE NUMBER
+420 553 731 956

EMAIL
info@labortech.cz
sales@labortech.cz

WWW
www.labortech.cz

© - Product descriptions and illustrations are for illustrative and indicative purposes only

23B.03-G60 Subject to technical changes