

Hardness Testers - Measuring Quality

## DX 136 MANUAL BENCH TOP STAND



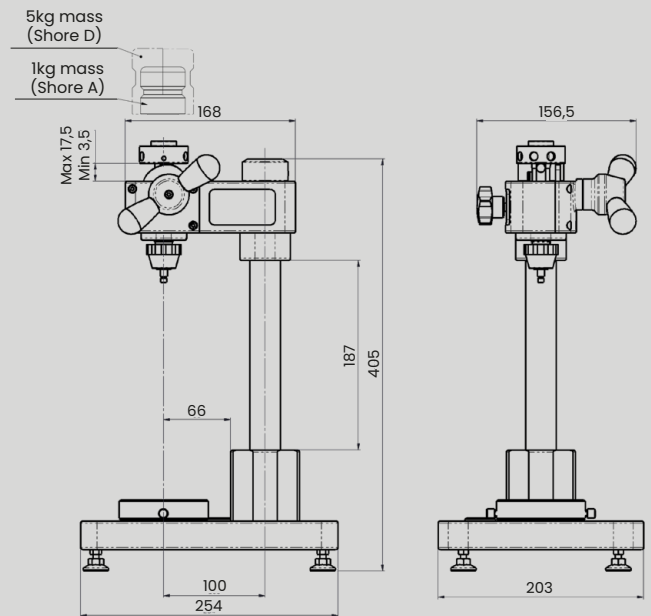
DX 136 Axiotek manual bench top stand is **mechanically operated**: after installing the desired portable Shore hardness tester, simply manually operate the lever to carry out the test and determine the hardness value

Whether combined with an electronic portable Shore or an analogue one, DX 136 is ideal for detecting all Shore hardness scales, **A, B, C, D, DO, E, AO, O, OO**, in accordance with the standards of reference: **ISO 48-4 and ASTM D2240, ISO 868 and ISO 21509**.

Suitable for all **polymers, elastomers, rubbers and gel-like materials (such as plastics, rubber, medical items, paper and sponges)** of small/large sizes and complex geometries.

## What are the immediate benefits?

- It eliminates human influence in text execution, therefore ensuring greater accuracy of results.
- It can be used in any environment, thanks to its complete autonomy from electrical sources and its practical low weight
- It allows to measure **objects with complex geometry, thanks to the extensive kit of dedicated accessories** for the interchangeable specimen base



Possibility of adding a calibrated mass for all Shore scales on one instrument

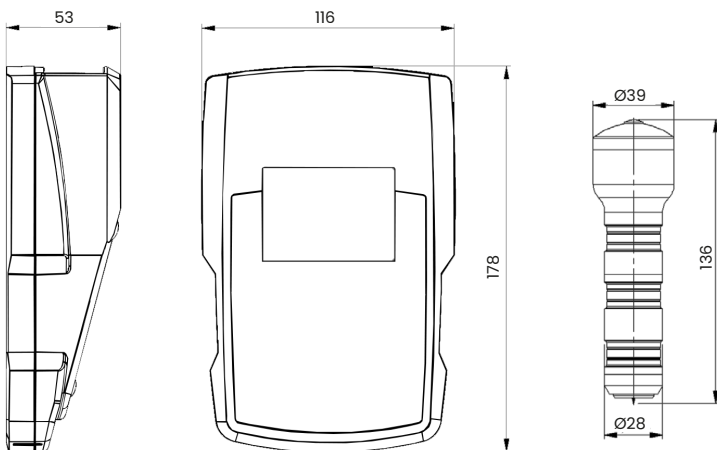
### TECHNICAL DATA

- Weight: 9 kg
- The height can be increased: on request
- Supplied with calibrated mass for OO, OOO and OOO-S Shore scale.
- Possibility of using the instrument in stand-alone mode.

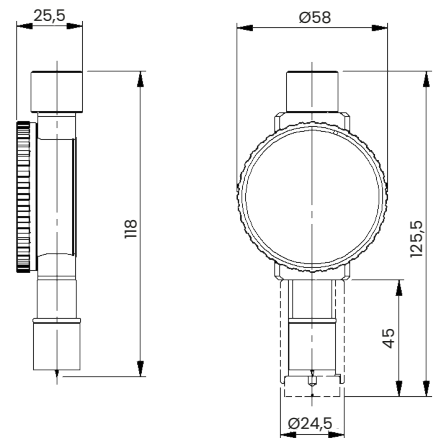
## Combine it with a portable electronic or analogue Shore hardness tester!

Reference standards: ASTM D2240, ISO 48-4, ISO 868 and ISO 21509

### ELECTRONIC PORTABLE SHORE



### ANALOGUE PORTABLE SHORE



**AXIOTEK S.r.l.**  
Via Monte Tagliaferro 8,  
21056 Induno Olona (VA)

✉ service@axiotek.eu

☎ +39 0332 1892847

🌐 www.axiotek.eu

### AUTHORIZED DISTRIBUTOR



**PHONE NUMBER**  
+420 553 731 956

**EMAIL**  
info@labortech.cz  
sales@labortech.cz

**LABORTECH, s.r.o.**  
Rolnická 1543/130a  
747 05 Opava  
Czech Republic

**WWW**  
www.labortech.cz

© - Product descriptions and illustrations are for illustrative and indicative purposes only

23B.03-G60 Subject to technical changes