

From development to
implementation



Czech manufacturer of materials testing equipment and automation



Testing machines with
Low - speed AC drive
C.3 series – CREEPTest 6.30 – 250

... from development to implementation

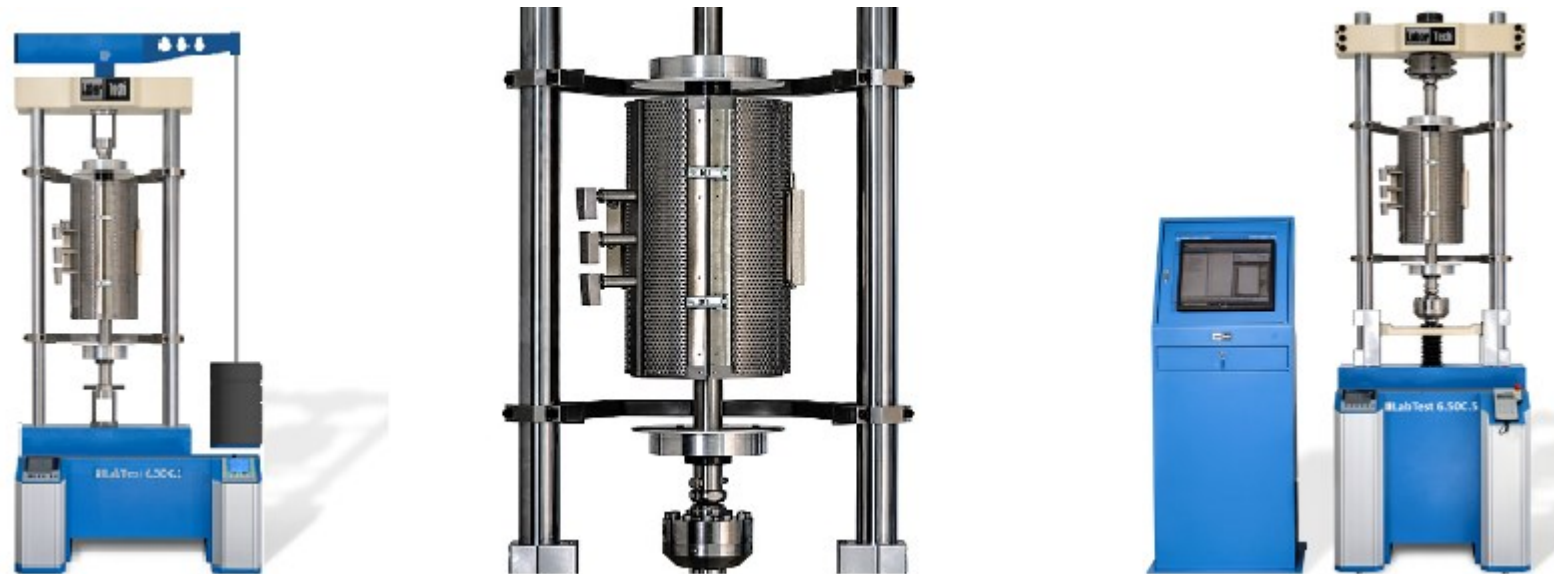
Labor Tech[®]

Production of materials testing equipment and automation

Testing machines for long-term test - CREEPTest

Reliable, precise with high rigidity and repeatability

The LABORTECH company offers special testing machines for long-term CREEP TEST tests designed to determine creep or stress relaxation in the material. These machines allow tests to be performed at a constant temperature up to 1600 ° C, where the deformation is recorded at specified time intervals. The constant load of these machines is derived from a lever mechanism and weight, a spring mechanism or a special low-speed AC drive with a long service life.



All modifications of CREEP test systems manufactured by us are designed so that the customer can fully rely on its function and accuracy with long-term constant loading (material flow) with force or stress, including elongation and at a constant homogeneous temperature in a high-temperature furnace. Intuitive and trouble-free use of test software designed for long-term tests produced by LABORTECH guarantees you a reliable declaration of results even after 100,000 hours of continuous loading.



Every small detail matters



Production of materials testing equipment and automation

Key features of the C.3 series

Precise, coaxiality and durability are the parameters in the standard



Vertical two-column stand design with high rigidity, guaranteed mechanical coaxiality and durability inducing direct load by means of a precise linear servo driver with low noise. These machines are designed to perform **long-term low-cycle fatigue in the I quadrant up to 2 Hz**, determine crack expansion, creep, stress relaxation in the material, corrosion resistance, etc. The machine includes durable vibration pads to prevent the transmission of vibrations.



High comfort of machine operation at a very high level thanks to the RMCi remote control with LCD display, having independent machine control, machine movement control, grips, extensometer, crossbar displacement and clamping, test start and especially integrated **CENTRAL STOP** button



The control of the machine is performed by the new measuring and control electronics of the EDCi series with a sampling frequency of 2.5 kHz. Resolution level of analog signals $\pm 250,000$ parts (20 ms). Internal frequency 64 bit, data acquisition 32 bit, AD 24 bit, arithmetic. Integrated RS232 for VIDEO extensometers. PC connection - Ethernet 10/100 Mbit, USB 2.0



Based on their concept and construction, LABORTECH machines comply with all the above-mentioned ES directives on machines and equipment. Only state-of-the-art safety techniques and proven industrial components are used that work in accordance with the new safety functions according to ENB ISO 13850-SIL 1 / PL.



Each CREEP machine includes a high-temperature furnace controlled by a JUMO LCD PID regulator, which ensures the accuracy of temperature control in accordance with the EN ISO 6892-2 standard. Depending on the tested material and temperature, high-temperature furnaces operating in the temperature range from 200°C to 1600 ° C and can be used with the possibility of using axial extensometers.



The intuitive CREEPTest software and Test & Motion+ - BASIC test software produced by LABORTECH guarantees you reliable, accurate, efficient and long-term testing. These software will increase the quality of testing in your test rooms and testing laboratories by using various modules for individual testing standards.



... from development to implementation



Production of materials testing equipment and automation

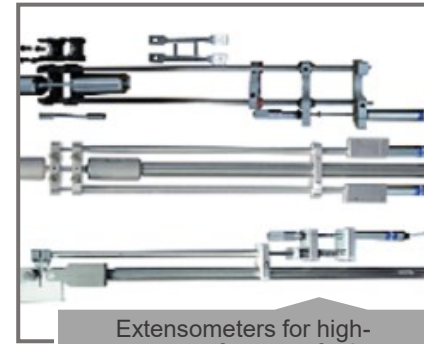
Create your own machine configuration!

Test everything with our wide range of accessories...

A large range of various accessories, including software, will allow you to configure the machine exactly according to your ideas, technical requirements and standards. Just fill out the simple form [HERE](#) and we will send you a price offer immediately. We offer both standard accessories and "tailor-made" accessories.



Clamping and centering jigs designed for long-term tests with jigs for high-temperature furnaces.



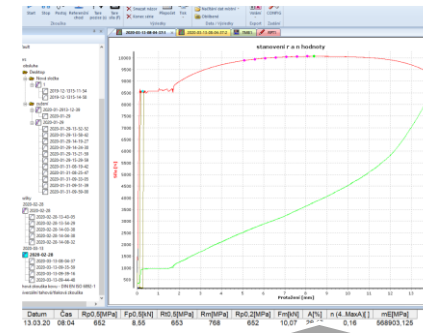
Extensometers for high-temperature furnaces for long-term tests - contact and contactless



High temperature furnaces in the temperature range from 200 to 1600 °C

Name	Note
EN ISO 204	
ASTM E 292	
ASTM E139	
GOST 10145	
GOST 3248	

CREEPTest software supplied by LABORTECH with various test modules.



Test & Motion+ test software supplied by LABORTECH with various test modules.



Every small detail matters

... from development to implementation



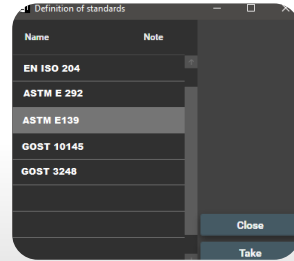
Production of materials testing equipment and automation



Every small detail matters

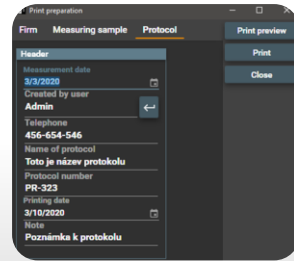
Software CREEPTest

Higher form of software for long-term tests with great endurance...

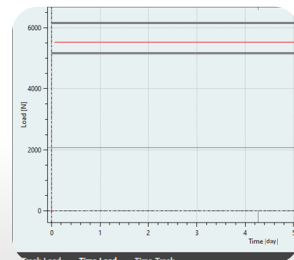


Features of software CREEPTest – BASIC

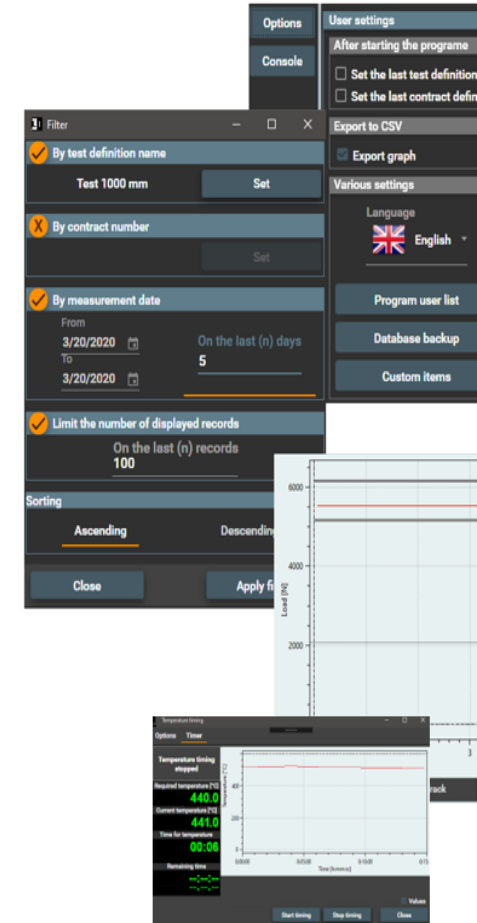
CREEPTest - BASIC will help you increase reliability and quality during long-term testing in your test rooms and testing laboratories. Software designed for long-term CREEP tests with full automation of the test process and elimination of errors during long-term tests according to EN, ISO, ASTM and GOST standards.



- Simple and intuitive operation, continuous data collection from multiple stations
- Digital display of all current values.
- Remote monitoring of the testing process, statistical processing of results and analysis of tests, database storage of results, data backup
- Saving of measured data in a database with the possibility of filtering



- Modules for long - term tests, determination of creep, stress relaxation in material, Andrade creep test at constant real stress during uniform deformation of test specimen, fracture time depending on deformation and time, Sherby - Dorn parameter, etc.
- Automatic control, including temperature records during long-term tests
- Multilingual version (CZ, EN, POL, RU, ESP atd.)
- Data export to CSV - BASIS, or to MYSQL and MS SQL
- Unlimited license

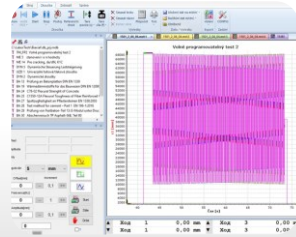




Production of materials testing equipment and automation

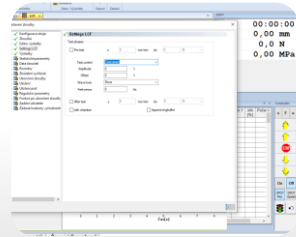
Software Test&Motion+

Intuitive long-term exam software you'll love...

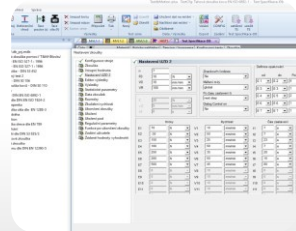


Test&Motion+ – BASIC software features

Test&Motion+ – BASIC - intelligent, intuitive and powerful software to help you increase productivity and testing quality in your testing laboratories. You can streamline, refine and speed up the execution of your tests and adapt your testing environment to it was easy for the operator to measure the mechanical properties of the materials in tension, bending pressure and torsion with the support of EN, ISO, DIN, ASTM and GOST standards.



- Unlimited number of test methods.
- Modular system of libraries designed for standardized tests - to select for activation.
- Evaluation of optional parameters: maximum strength, strength, elongation, elongation, stress, 5 different reference points, etc .
- Graph in real time, possibility of individual processing after the test
- Mass graphs, Zoom, serial testing
- Data export to ASCII, EXCEL, WORD, Eclipse, Diadem, Q-DAS,
- Clamping length setting for each method
- Display of multiple quantities on the x, y axes



- Online display of up to 6 graphs with arbitrary quantities in the x, y axis
- Control of feed rate depending on elongation, force, stress, elongation, etc ..
- Software control of hydraulic and pneumatic jaws, temperature, automatic extensometer
- Receiving sample dimensions from peripheral devices
- Data collection from analog and digital external meters
- Setting user rights, operator login
- Custom setting of test results
- Automatic saving of results according to the selected tree, database
- Statistical evaluation
- 12 language mutations (Cz, En, De, Fr, Pl, It, Es, Ru, NI, Tr, Zh, Pt)

Controller x DISP3

Čas	0,0 s
Síla	0,00 N
Napětí	0,0 MPa
Tažnost	0,00 %
Protažení	0,000 mm
Pos.	0,00 mm

On Off

DROT Pos. DROT Speed

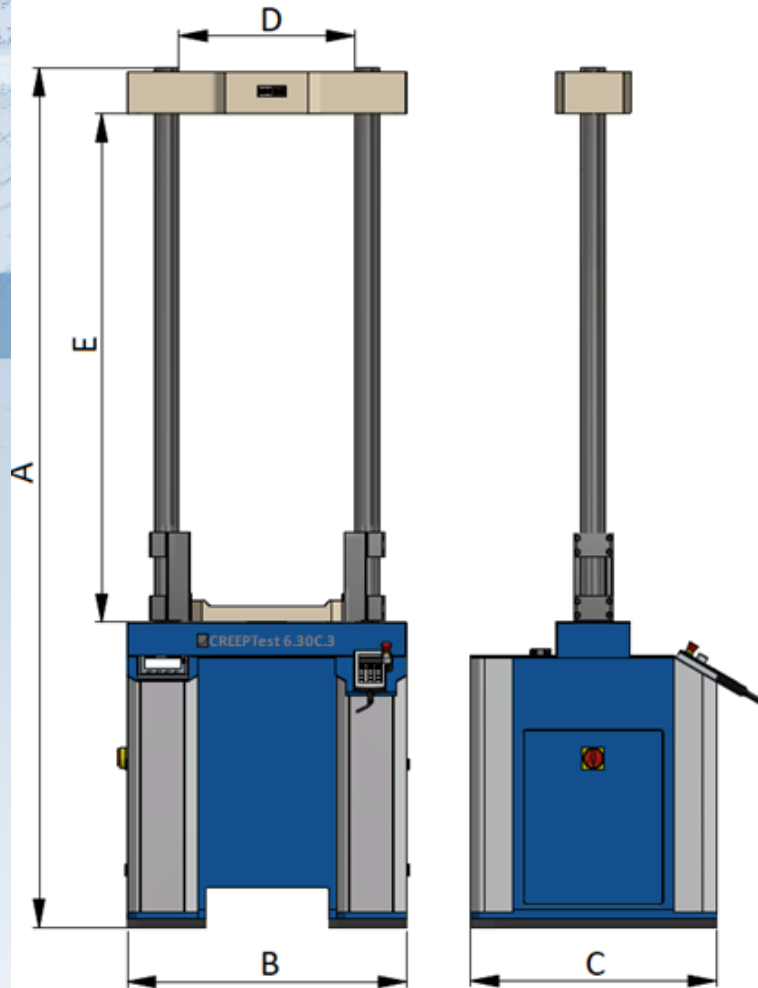
OK	Datum	Čas	Ozn 1	Ozn 2	FH [N]	RH [N/mm²]
1						
2						
3						
4						
5						
6						
7						
8						
9						
10						
11						
12						
13						
14						
15						
16						
17						
18						
19						
20						
21						
22						
23						



... from development to implementation



Production of materials testing equipment and automation



Every small detail matters

C.3 series – with a low-speed AC driver

Technical data	Units	6.30C.3	6.50C.3	6.100C.3	6.250C.3
Product ordering code		1.03030019	1.03030119	1.03030219	1.03030319
Maximum load	kN	30	50	100	250
Testing speed	mm/h - mm/min	0.001 up to 100	0.001 up to 100	0.001 up to 100	0.001 up to 100
Measurement accuracy					
Accuracy class 1 – measuring from...	kN	0.09	0.15	0.3	0.75
Accuracy class 0.5 – measuring	kN	0.3	0.5	1	2.5
Traction sensor resolution	µm	0.0023	0.0023	0.0023	0.0023
Positioning accuracy	mm	± 0.001	± 0.001	± 0.001	± 0.001
Machine dimensions					
Machine height - A	mm	2315	2315	2475	2475
Machine width - B	mm	795	795	895	895
Machine depth - C	mm	700	700	880	880
Width of the working space - D	mm	500	500	610	610
Height of the working space – E*	mm	1350	1350	1350	1350
Machine weight ²	kg	752	752	940	1085
Electrical connection					
Supply voltage / frequency	V/Hz	230 / 50-60	230 / 50-60	230 / 50-60	230 / 50-60
Number of phases		1Ph/N/E	1Ph/N/E	1Ph/N/E	1Ph/N/E
Power consumption	VA	820	820	1410	1930
Power consumption with high temperature furnace	VA	3700	3700	3700	3700
Environmental conditions					
Working environment temperature	°C	+10 ... +35	+10 ... +35	+10 ... +35	+10 ... +35
Storage temperature	°C	-25 ... +55	-25 ... +55	-25 ... +55	-25 ... +55
Humidity of the working environment	%	<90	<90	<90	<90
Others					
Color combination	RAL	1015, 5015	1015, 5015	1015, 5015	1015, 5015

Technical changes reserved during development, machine parameters at room temperature, ¹without test fixtures ²machine base without any accessories.



Production of materials testing equipment and automation



Technical specifications C.3 series

What else you have to know...



Security

The safety corresponds to the European safety of machines CE directives (89/392 / EEC and 91/368 / EEC - safety of machinery EN60204-1: 1992). The emergency stop function electrically interrupts the drive of the hydraulic power unit and the entire machine. All safety systems are dual-circuit and fail-safe.



Minimum PC configuration requirements for CREEPTest software.

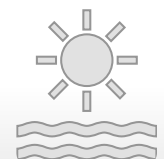
PC-Standard - Processor: min. two cores, min. 2.5 GHz, RAM: min. 4GB, Hard drive: HDD min. 500GB or SSD min. 120GB, Graphics card: integrated in the processor, network connector: min. 2x, Drive: DVD RW, keyboard, mouse, min. 2x USB 3.0, operating system: MS Windows 10 Pro
Monitor-Standard - LCD monitor, 1920x1080 resolution and higher



Servis

STANDARD servis - Our testing machines can work 24 hours a day, 7 days a week, 365 days a year. We provide you with On-line service at all times with our qualified application and service technicians on the telephone line +420 602 527 577.

LABWEBservis - Telephone service using remote access provided by LABORTECH employees. Up to 10 minutes FREE, further according to the LABORTECH price list



Environmental and operating conditions

Power voltage - Guaranteed reliable operation of our machines is possible with the usual deviations (supply voltage $\pm 10\%$, frequency $\pm 1\%$, ie 230V - 1f or 400V - 3f).

Electromagnetic compatibility (EMC) - Our test systems are designed in accordance with the applicable EMC directives.

Environment - It is necessary to observe the range of working temperatures and humidity according to the manufacturer's recommendations to secure the machine against corrosion, shocks, vibrations, oscillations, etc.



... from development to implementation



Production of materials testing equipment and automation



Every small detail matters

LABORTECH in the world

Where to find LABORTECH representations...



Contact:

LABORTECH, s.r.o.
Rolnická 1543/130a, 747 05 OPAVA, Czech Republic
Telephone: +420 553 731 956, +420 553 668 648
E-mail: info@labortech.cz
Web: www.labortech.cz
GPS: 49°57'05.1"N
17°54'04.4"E

LABORTECH TRADING s.r.o.
Na Florenci 1686/9, 111 71 PRAHA 1, Czech Republic
Telephone: +420 724 731 956
E-mail: trading@labortech.cz
Web: www.labortech.eu