

... from development to
implementation



Production of materials testing equipment and automation

The Bayonet grips

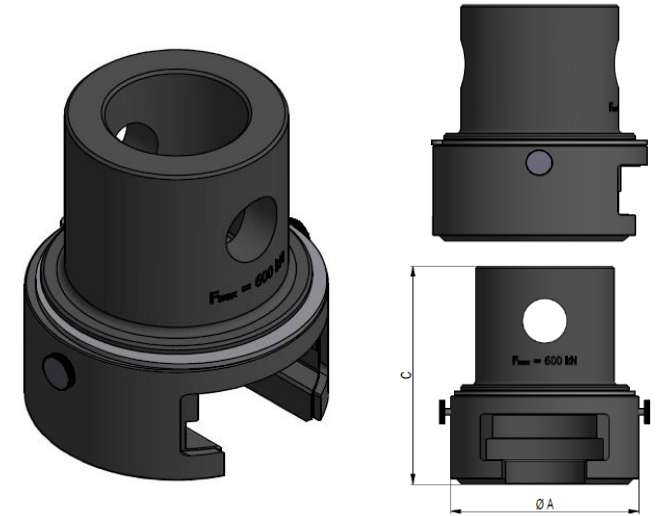


Made in Czech Republic

The bayonet grips

Main features and advantages

- Bayonet grips designed for simple and efficient clamping of threaded and fitted test specimens for tensile tests
- Type series up to a maximum load of 600kN
- Large variability of inserts with fixed or spherical mounting
- Specific design of inserts for use with contact extensometers for mounting standardized gauge lengths,
- Safety rotating ring against realising of samples
- Mechanical connection via pin, thread or wedge (comfortable connection to wedge grips)
- Possibility of supplementing with fixtures with refrigerant circulation for effective limitation of the thermal bridge



The bayonet grips					
Technical data			The Grip inserts		
Load	External Dimensions		Weight	Inserts for threaded specimens	Inserts for shoulder specimens
Fmax kN	A mm	C mm	Kg/ pcs	Typ/max. range mm	
50	89	103	2,9	M3 – M22	22/12
100	89	103	2,9	M3 – M22	28/16
200	119	152	9	M3 – M28	40/24
300	139	152	11	M3 - M32	40/24
600	190	220	22,5	M3 - M36	45/28

Technical specification for grips up to 400 kN on demand



Production of materials testing equipment and automation

The bayonet grips

...from development to realization

LABORTECH in the world



Contact:

LABORTECH s.r.o.

Rolnická 130a, 747 05 Opava, Czech Republic

Phone: +420 553 731 956, +420 553 668 648

E-mail: info@labortech.cz

Web: www.labortech.cz

GPS: 49°57'05.1"N

17°54'04.4"E

LABORTECH TRADING s.r.o.

Areál VVÚD Praha, Na Florenci 1686/9, 111 71 PRAHA 1, Czech Republic

Phone: +420 731 656 723, +420 724 020 052

E-mail: trading@labortech.cz

Web: www.labortech.eu

Follow us on our social media networks and Youtube channel:

[Youtube](#), [LinkedIn](#), [Facebook](#)



Labor Tech

Production of materials testing
equipment and automation

LABORTECH in the world

... from development to
implementation